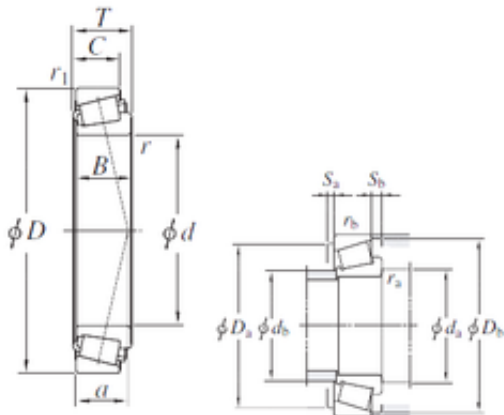




# KRF bearing Co., Ltd

## 8575/8522 Single row bearings inch

Bearing No. 8575/8522



8575/8522 Bearing 2D drawings and 3D CAD models

Size	234.95x328.625x52.388 mm
Bore Diameter	234,95 mm
Outer Diameter	328,625 mm
Width	52,388 mm
d	234,95 mm
D	328,625 mm
T	52,388 mm
B	52,388 mm
C	36,513 mm
a	60 mm
r min.	6,4 mm
r1 min.	3,2 mm
da min.	254 mm
Da min	299 mm
Da max.	316 mm
db max.	259 mm
ra max.	6,4 mm
rb max.	3,2 mm
Db	309 mm
Weight	12,4 Kg
Basic dynamic load rating (C)	468 kN
Basic static load rating (C0)	930 kN
Calculation factor (e)	0,41
Calculation factor (Y0)	0,81